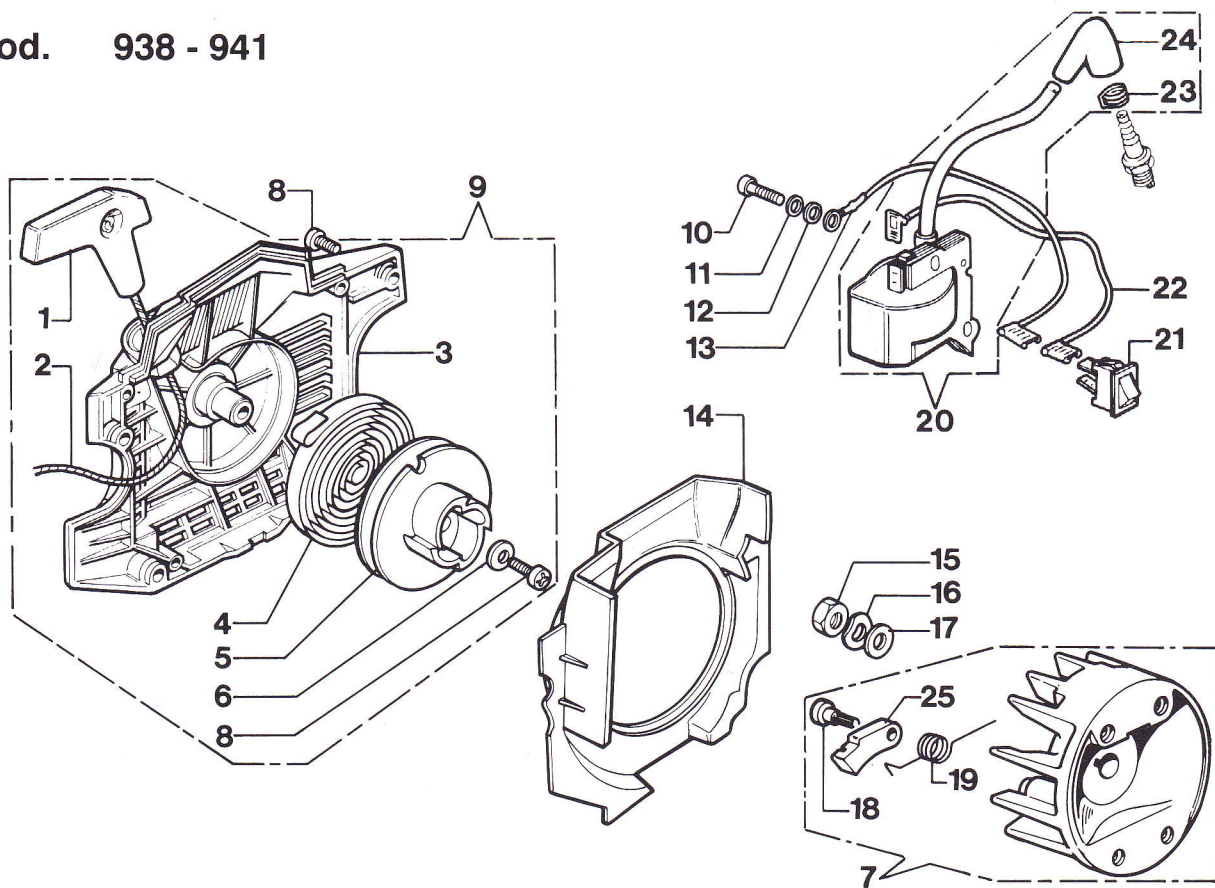
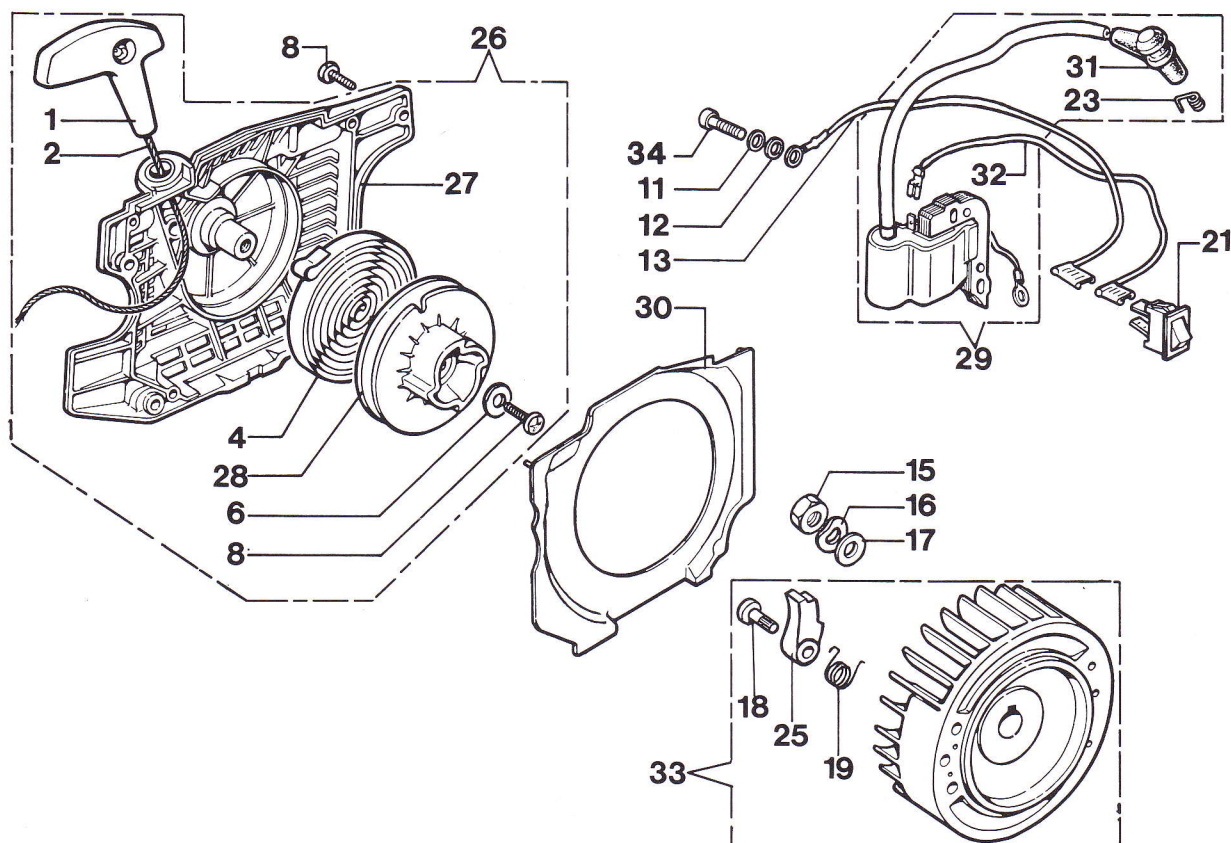


mod. 931 - 938 - 941 - 942 - 946 - 951

mod. 938 - 941

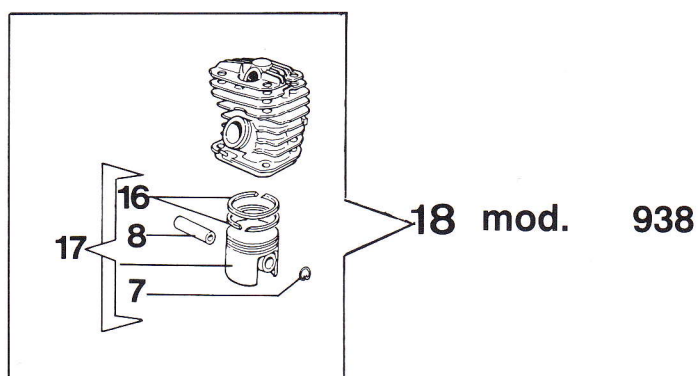
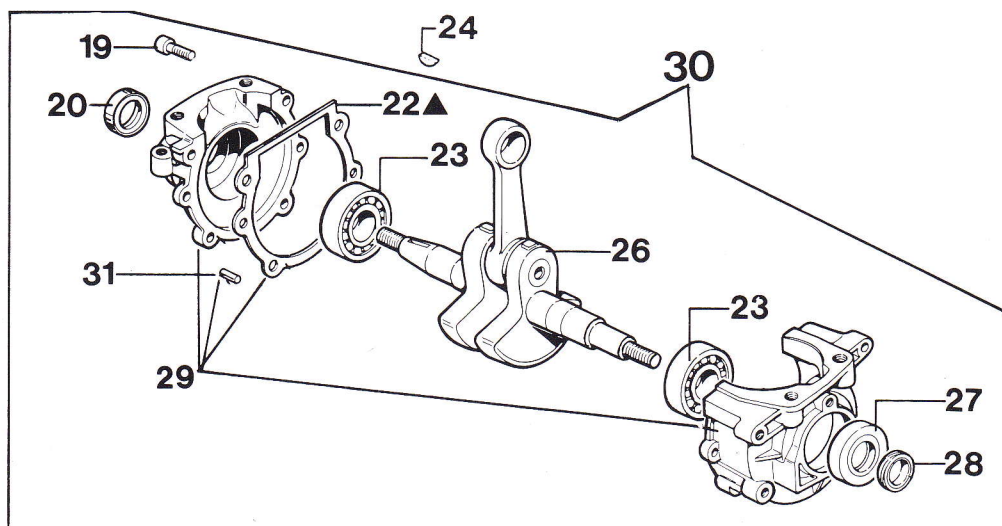
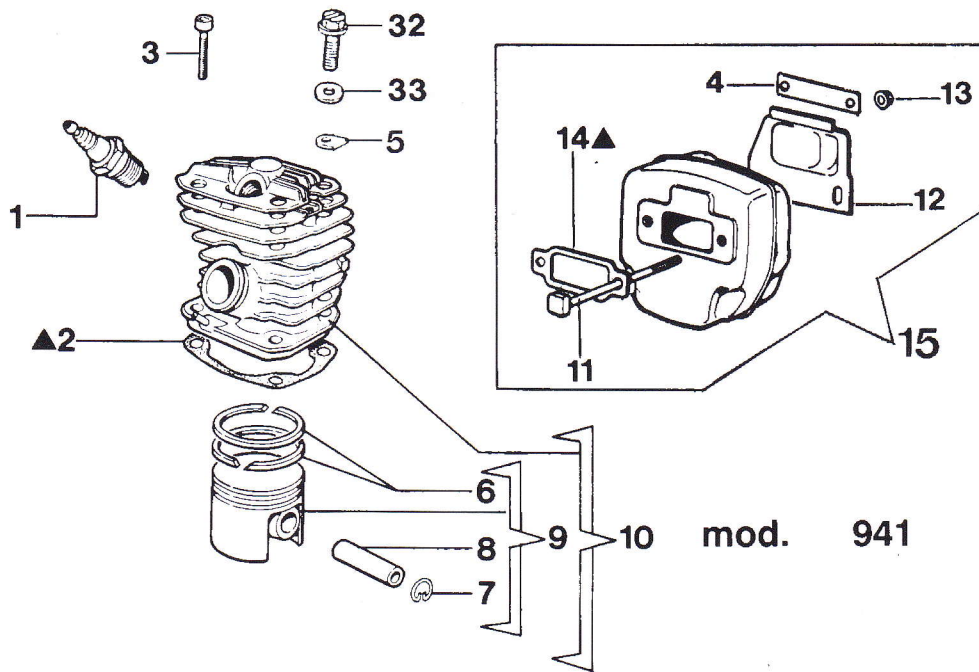


mod. 942 - 946 - 951



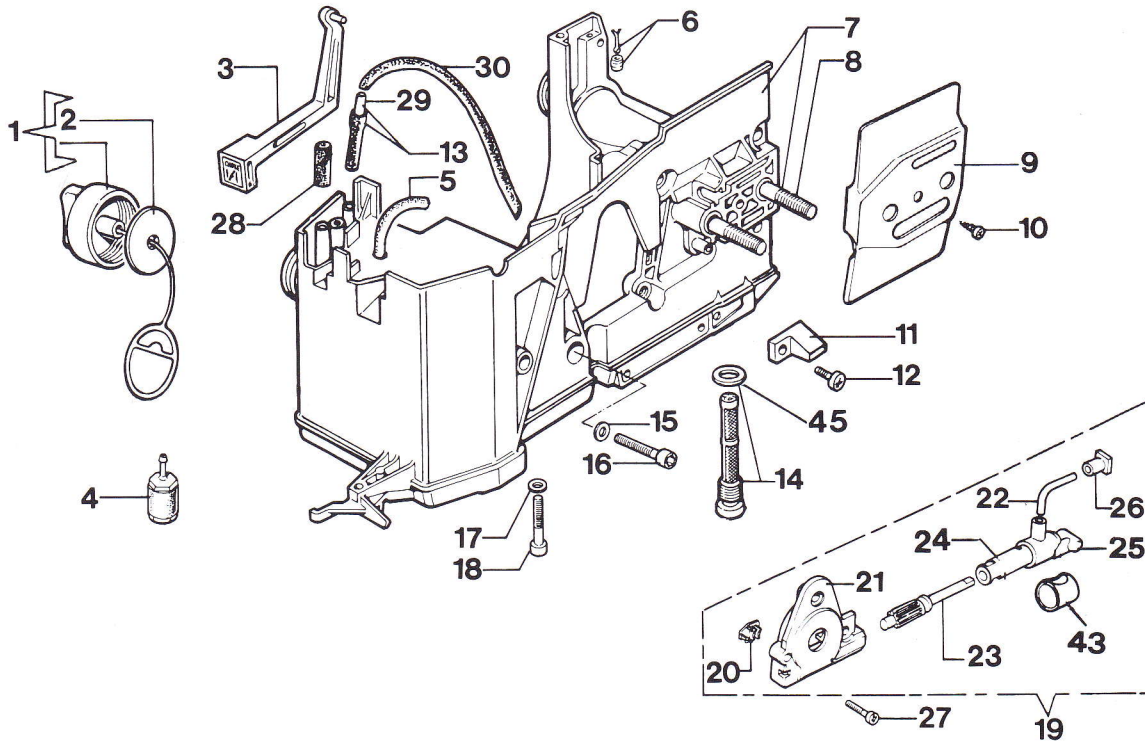
REF.	PART. NO.	SOSTITUITO DA REEMPLACÉ PAR REPLACED BY	DESCRIZIONE ITALIANO	DESCRIPTION ENGLISH	DESCRIPTION FRANÇAIS	DESCRIPCION ESPAÑOL	Bollettino - Bulletin		
							Gr.	N°	Data-Date
1	0946.00384		IMPUGNATURA	HANDLE	POIGNEE	EMPUNADURA			
2	4098073		CORDA	ROPE	CORDE	CUERDA			
3	0941.00053		CONV. ARANCIO	STARTER CASE OR. ...	CARTER OR.	CARTER ANAR.			
	0941.00054		CONV. ROSSO	STARTER CASE RED ..	CARTER ROUGE	CARTER ROJO			
	0941.00056		CONV. GIALLO	STARTER CASE YELLOW	CARTER JAUNE	CARTER AMARILLO			
4	0040.00132		MOLLA	SPRING	RESSORT	RESORTE			
5	0940.00033A		PULEGGIA	PULLEY	POULIE	POLEA			
6	0945.00034		RONDELLA	WASHER	RONDELLE	ARANDELA			
7	0930.00459	0941.00073	VOLANO	FLYWHEEL	VOLANT	VOLANTE			
8	0946.00041		VITE	SCREW	VIS	TORNILLO			
9	0941.00032		AVVIAM. COMPL. ARANCIO	STARTER ASSY OR.	DEMARRAGE COMPL. OR.	ARRANQUE COMPL. ANAR.			
	0941.00045		AVVIAM. COMPL. ROSSO ...	STARTER ASSY RED	DEMARRAGE COMPL. ROUGE	ARRANQUE COMPL. ROJO ..			
	0941.00057		AVVIAM. COMPL. GIALLO ...	STARTER ASSY YELLOW	DEMARRAGE COMPL. DAUNE	ARRANQUE COMPL. AMARILLO .			
10	0940.00227		VITE	SCREW	VIS	TORNILLO			
11	0060.00152		RONDELLA	WASHER	RONDELLE	ARANDELA			
12	0060.00315		RONDELLA	WASHER	RONDELLE	ARANDELA			
13	0946.00305B		CAVO	CABLE	CABLE	CABLE	4	49	6-98
14	0941.00006		FLANGIA	FLANGE	FLASQUE	PLACA			
15	3912009		DADO	NUT	ECROU	TUERCA			
16	3833080		RONDELLA	WASHER	RONDELLE	ARANDELA			
17	0050.00361		RONDELLA	WASHER	RONDELLE	ARANDELA			
18	0040.00436		PERNO	PAWL PIN	BOULON	PERNO			
19	0040.00139		MOLLA	SPRING	RESSORT	RESORTE			
20	0941.00025		BOBINA	COIL	BOBINE	BOBINA			
21	2317011A		INTERRUTTORE	SWITCH	INTERRUPTEUR	INTERRUPTOR			
22	0941.00026		CAVO	CABLE	CABLE	CABLE			
23	0946.00169		MOLLA	SPRING	RESSORT	RESORTE			
24	0941.00014		PIPETTA	CAP	CAPUCHON	CUBRE BUJIA			
25	0040.00140		CRICCHETTO	PAWL	CLIQUET	UNA			
26	0946.00372		AVVIAM. COMPL. ARANCIO ...	STARTER ASSY ORANGE	DEMARRAGE COMPL. OR.	ARRANQUE COMPL. ANAR.			
	0946.00417		AVVIAM. COMPL. ROSSO	STARTER ASSY RED	DEMARRAGE COMPL. ROUGE	ARRANQUE COMPL. ROJO			
	0946.00416		AVVIAM. COMPL. GIALLO	STARTER ASSY YELLOW	DEMARRAGE COMPL. JAUNE	ARRANQUE COMPL. AMARILLO			
27	0946.00412		CONV. ARANCIO	STARTER CASE OR. ...	CARTER OR.	CARTER ANAR.			
	0946.00119		CONV. ROSSO	STARTER CASE RED ..	CARTER ROUGE	CARTER ROJO			
	0946.00160		CONV. GIALLO	STARTER CASE YELLOW	CARTER JAUNE	CARTER AMARILLO			
28	0945.00023		PULEGGIA	PULLEY	POULIE	POLEA			
29	0946.00279	095100104	BOBINA	COIL	BOBINE	BOBINA			
30	0946.00015		FLANGIA	FLANGE	FLASQUE	PLACA			
31	0946.00097		PIPETTA	CAP	CAPUCHON	CUBRE BUJIA			
32	0946.00280B		CAVO	CABLE	CABLE	CABLE	4	49	6-98
33	0946.00404		VOLANO	FLYWHEEL	VOLANT	VOLANTE			
34	0060.00024		VITE	SCREW	VIS	TORNILLO			

mod. 938 - 941

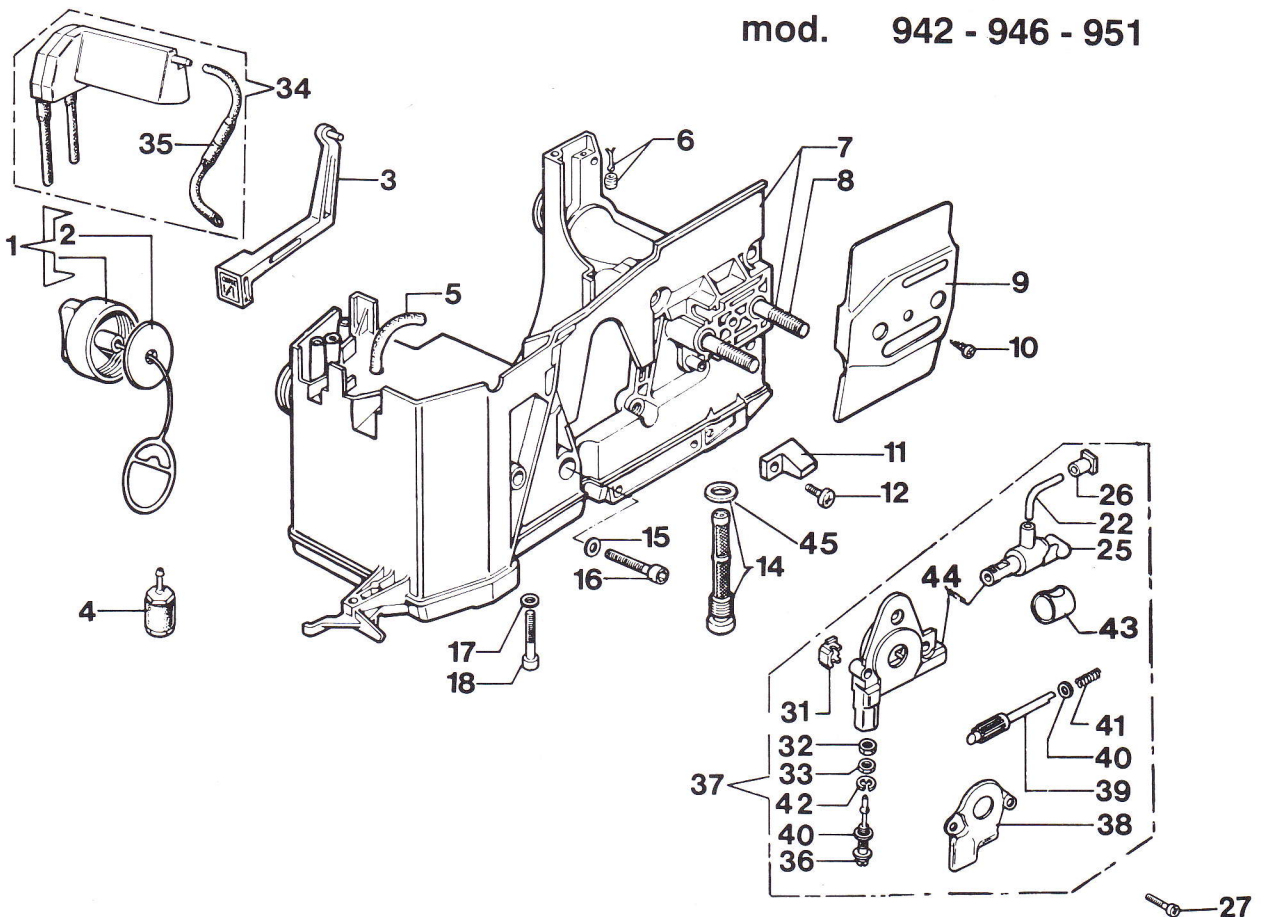


REF.	PART. NO.	SOSTITUITO DA REEMPLACÉ PAR REPLACED BY	DESCRIZIONE ITALIANO	DESCRIPTION ENGLISH	DESCRIPTION FRANÇAIS	DESCRIPCION ESPAÑOL	Bollettino - Bulletin		
							Gr.	N°	Data-Date
1	0050.00019		CANDELA	SPARK PLUG	BOUGIE	BUJIA			
2	0946.00058	0946.00436	GUARNIZIONE	GASKET	JOINT	JUNTA			
3	0050.00058	3801041	VITE	SCREW	VIS	TORNILLO			
4	0946.00358		LAMIERINO	PLATE	PLAQUETTE	LAMINA			
5	0946.00198		PIASTRINA	PLATE	PLAQUETTE	PLACA			
6	0940.00015		SEGMENTO Ø 42	PISTON RING Ø 42	SEGMENT Ø 42	ARO PISTON Ø 42			
7	0049.00061		ANELLO	SNAP RING	CIRCLIPS	ANILLO			
8	0950.00038		SPINOTTO	PISTON PIN	AXE PISTON	PERNO			
9	0941.00051		PISTONE COMPL. Ø 42	COMPL. PISTON Ø 42	PISTON COMPL. Ø 42	PISTON COMPL. Ø 42			
10	0941.00050		CILINDRO COMPL. Ø 42	COMPL. CYLINDER Ø 42	CYLINDER COMPL. Ø 42	CILINDRO COMPL. Ø 42			
11	0946.00039		VITE	SCREW	VIS	SCREW			
12	0946.00024		LAMIERINO SCARICO	MUFFLER PLATE	PLAQUETTE	PLACA			
13	0946.00051		DADO	NUT	ECROU	TUERCA			
14	0946.00057		GUARNIZIONI	GASKET	JOINT	JUNTA			
15	0946.00176		MARMITTA	MUFFLER	POT D'ECHAPPMENT	ESCAPE			
16	0040.00015		SEGMENTO Ø 40	PISTON RING Ø 40	SEGMENT Ø 40	ARO PISTON Ø 40			
17	0938.00015		PISTONE COMPL. Ø 40	COMPL. PISTON Ø 40	PISTON COMPL. Ø 40	PISTON COMPL. Ø 40			
18	0938.00014		CILINDRO COMPL. Ø 40	COMPL. CYLINDER Ø 40	CYLINDRE COMPL. Ø 40	CILINDRO Ø 40			
19	0940.00101	0355.00229	VITE	SCREW	VIS	TORNILLO			
20	0945.00004		ANELLO DI TENUTA	SEALING RING	BAGUE	RETEN			
21	0946.00414		SERIE GUARNIZIONI	GASKET SET	JEU DE JOINTS	JUEGO DE JUNTAS			
22	0946.00043		GUARNIZIONE	GASKET	JOINT	JUNTA			
23	3034012		CUSCINETTO	BEARING	ROULEMENT	COJINETE			
24	4098232		LINGUETTA	KEY	CLAVETTE	CHAVETA			
25	0940.00005		CUSCINETTO	BEARING	ROULEMENT	COJINETE			
26	0941.00002		ALBERO	SHAFT	VILEBREQUIN	CIGUENAL			
27	3050015A		ANELLO DI TENUTA	SEALING RING	BAGUE	RETEN			
28	0946.00033		VITE S.F.	WORM GEAR	VIS S.F.	SIN FIN			
29	0946.00393		COPIA CARTER	CRANK CASE	CARTER COMPL.	CARTER COMPL.			
30	0941.00037		BASAM. COMPL.	CRANK CASE ASSY	CARTER COMPL.	CARTER COMPL.			
31	0946.00042		SPINA	PIN	AXE	PERNO			
32	0999.00296		VITE	SCREW	VIS	TORNILLO			
33	0946.00451		RONDELLA	WASHER	RONDELLE	ARANDELA	4	57	12-98

mod. 938 - 941



mod. 942 - 946 - 951





**SERBATOIO E POMPA OLIO / FUEL TANK AND OIL PUMP
RESERVOIR ET POMPE A HUILE / DEPOSITO COMB. Y BOMBA DE ACEITE**

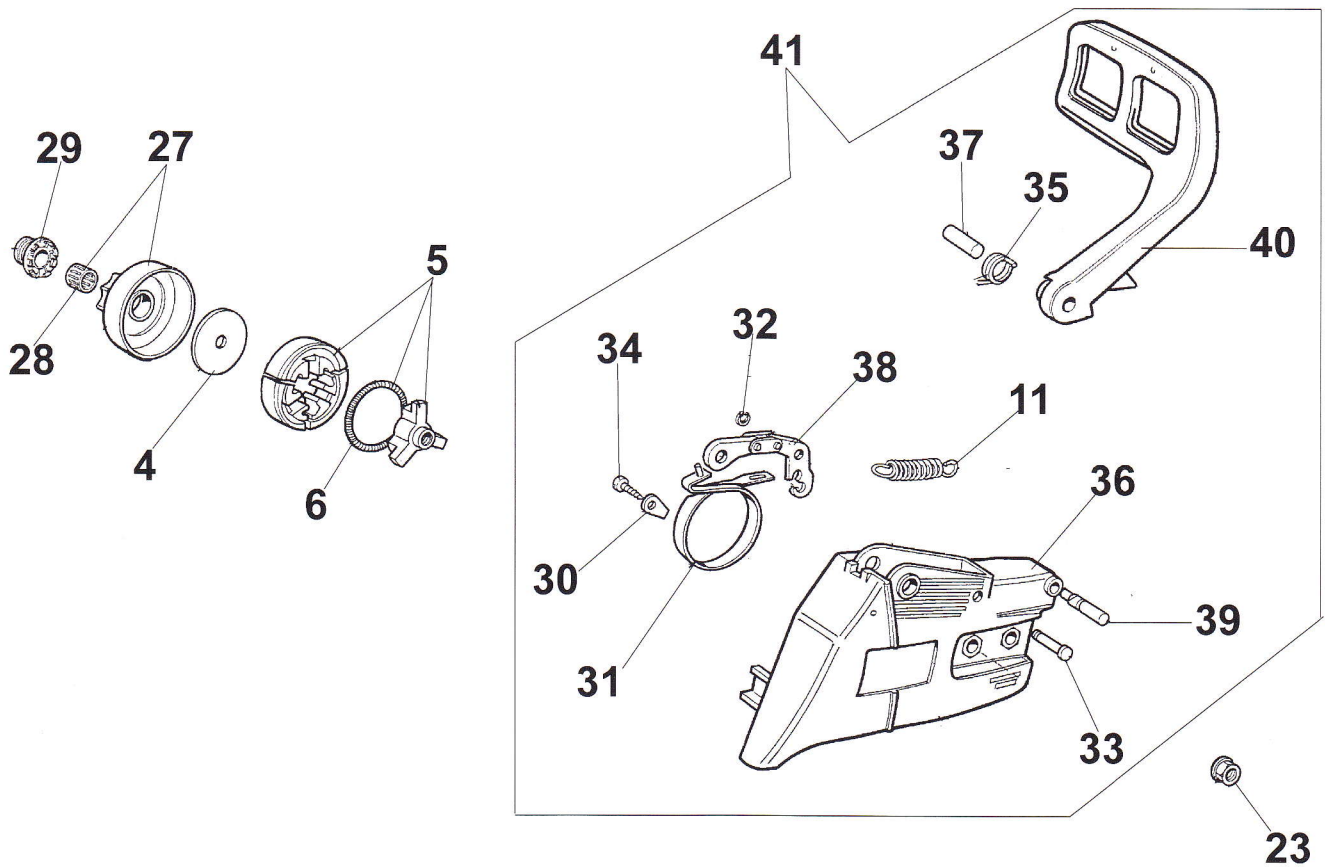
1 C3

SERVICE

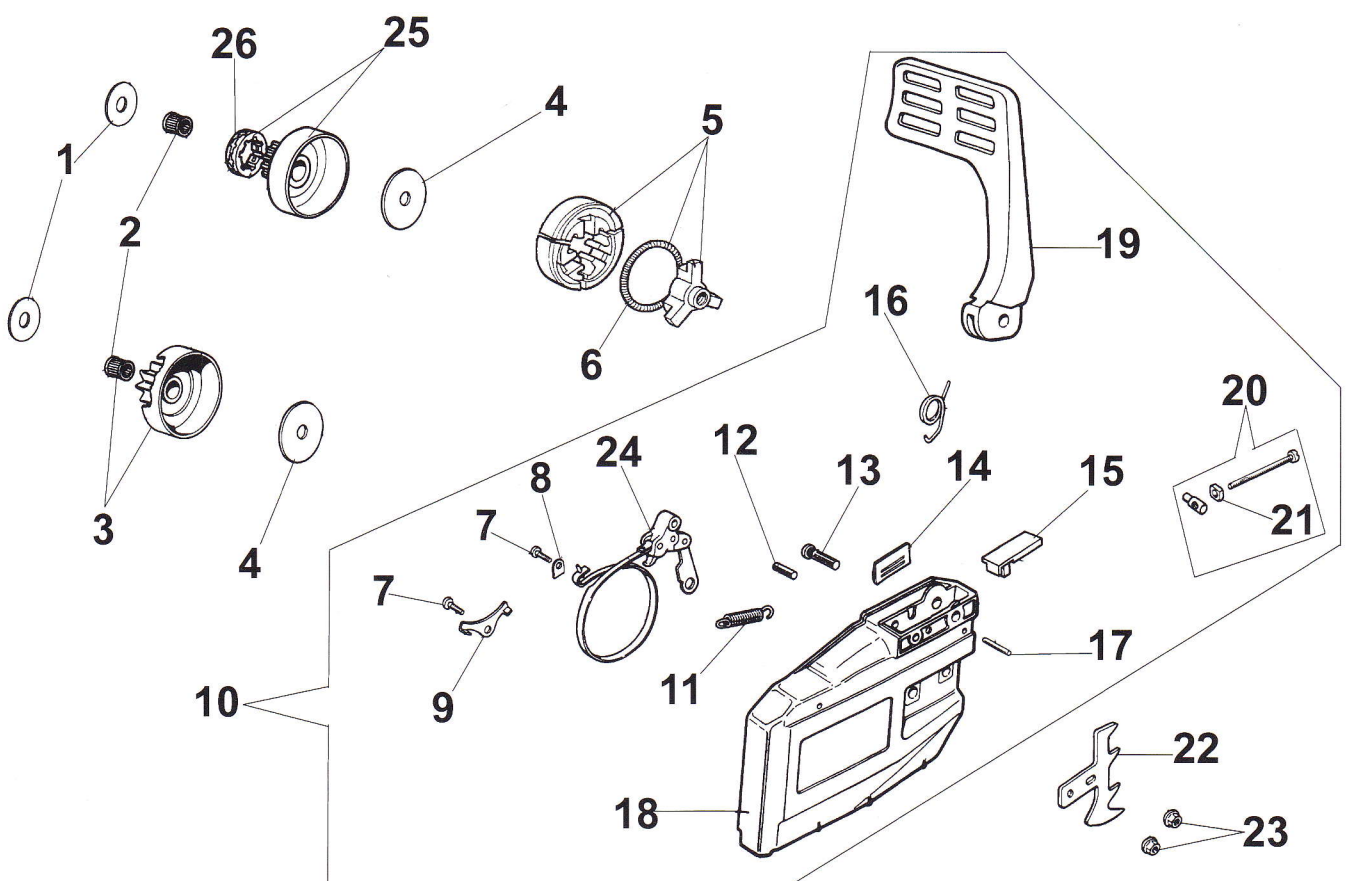
mod. 938 - 941 - 942 - 946 - 951

REF.	PART. NO.	SOSTITUITO DA REEMPLACÉ PAR REPLACED BY	DESCRIZIONE ITALIANO	DESCRIPTION ENGLISH	DESCRIPTION FRANÇAIS	DESCRIPCION ESPAÑOL	Bollettino - Bulletin		
							Gr.	N°	Data-Date
1	0935.00422		TAPPO COMPL.	COMPL. CAP.	BOUCHON COMPL.	TAPON			
2	0940.00078		GUARNIZIONE	GASKET	JOINT	JUNTA			
3	0946.00365		LEVA ARIA	STARTER LEVER	LEVIER STARTER	PALANCA			
4	0945.00207		FILTRO MIX	FUEL FILTER	FILTRE MIX	FILTRO MIX			
5	0946.00172		TUBO MIX	FUEL LINE	TUYAU MIX	TUBO			
6	0946.00079		SFIATO	CRANKCASE BREATHER	SOUPAPE	VALVULA			
7	0941.00052		SERBATOIO ARANCIO	TANK ASSY ORANGE. .	RESERVOIR ORANGE	DEPOSITO ANAR.			
	0946.00153		SERBATOIO ROSSO ...	TANK ASSY RED	RESERVOIR ROUGE ...	DEPOSITO ROJO			
	0946.00167		SERBATOIO GIALLO ...	TANK ASSY YELLOW ..	RESERVOIR JAUNE ...	DEPOSITO AMARILLO ..			
8	0945.00141		VITE	SCREW	VIS	SCREW			
9	0946.00044		LAMIERINO	PLATE	PLAQUETTE	PLACA			
10	0120.00028		VITE	SCREW	VIS	TORNILLO			
11	0946.00369		PROTEZIONE	PROTECTION	PROTECTION	PROTECCION			
12	0946.00041		VITE	SCREW	VIS	TORNILLO			
13	0350.00081		VALVOLA SFIATO	TANK BREATHER	SOUPAPE COMPL.	VALVULA COMPL.			
14	0945.00390A		FILTRO OLIO	OIL FILTER	FILTRE HUILE	FILTRO DE ACEITE	4	58	12-98
15	3819006		RONDELLA	WASHER	RONDELLE	ARANDELA			
16	0051.00987		VITE	SCREW	VIS	TORNILLO			
17	3833073		RONDELLA	WASHER	RONDELLE	ARANDELLA			
18	0061.00303		VITE	SCREW	VIS	TORNILLO			
19	0941.00036		POMPA OLIO	OIL PUMP	POMPE HUILE	BOMBA DE ACEITE			
20	0941.00024		FERMO PIST.	PISTON RETAINER	ARRET	RETEN			
21	0941.00018		CORPO POMPA	PUMP BODY	CORPS POMPE	CUERPO BOMBA			
22	0946.00063		TUBETTO	PIPE	TUYAU	TUBO			
23	0941.00017		PISTONCINO	PUMP PISTON	PISTON POMPE	PISTON			
24	0941.00020		CORPO PIST.	PISTON BODY	CORPS PISTON	CUERPO PISTON			
25	0946.00046A		RACCORDO	HOSE CONNECTION ...	RACCORD	MANGUITO			
26	0946.00062		RACCORDO	HOSE CONNECTION ...	RACCORD	MANGUITO			
27	0930.00140		VITE	SCREW	VIS	TORNILLO			
28	0740.00167		TAPPO	CAP	BOUCHON	TAPON			
29	0052.00941		SFIATO	CRANKCASE BREATHER	SOUPAPE	VALVULA			
30	0941.00027A		TUBO	BREATHER LINE	TUYAU	TUBO			
31	0946.00325		FERMO PIST.	PISTON RETAINER	ARRET	RETEN			
32	0946.00112		DADO	NUT	ECROU	TUERCA			
33	0946.00113		DADO	NUT	ECROU	TUERCA			
34	0946.00181		SERBATOIO	FUEL TANK	RESERVOIR	DEPOSITO			
35	0946.00182		SFIATO COMPL.	COMPL. BREATHER ...	SOUPAPE COMPL.	VALVULA COMPL.			
36	0946.00032		VITE	SCREW	VIS	TORNILLO			
37	0946.00339		POMPA OLIO COMPL.	OIL PUMP ASSY	POMPE HUILE COMPL.	BOMBA DE ACEITE			
38	0946.00335		PROTEZIONE	PROTECTION	PROTECTION	PROTECTOR			
39	0946.00030		PISTONCINO	PUMP PISTON	PISTON POMPE	PISTON BOMBA			
40	0946.00071A		RONDELLA	WASHER	RONDELLE	ARANDELA			
41	0946.00072A		MOLLA	SPRING	RESSORT	RESORTE			
42	3026004		ANELLO	SNAP RING	CIRCLIPS	ANILLO			
43	0946.00359		COLLARE	COLLAR	COLLIER	ABRAZADERA			
44	0946.00220		CORPO POMPA	PUMP BODY	CORPS POMPE	CUERPO BOMBA			
45	0945.00010A		GUARNIZIONE	GASKET	JOINT	JUNTA	4	58	12-98

mod. 936 - 940 - 940C



mod. 938 - 941 - 942 - 946 - 951





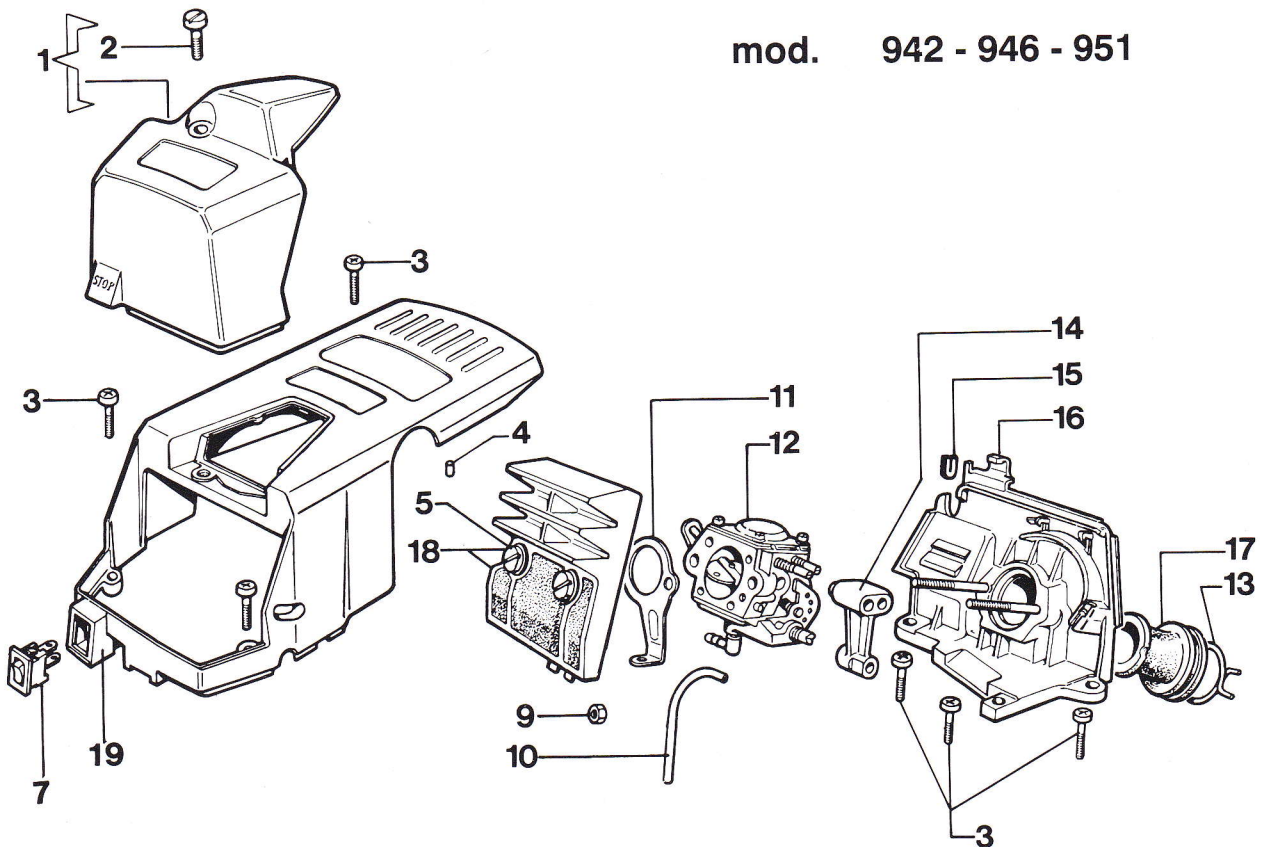
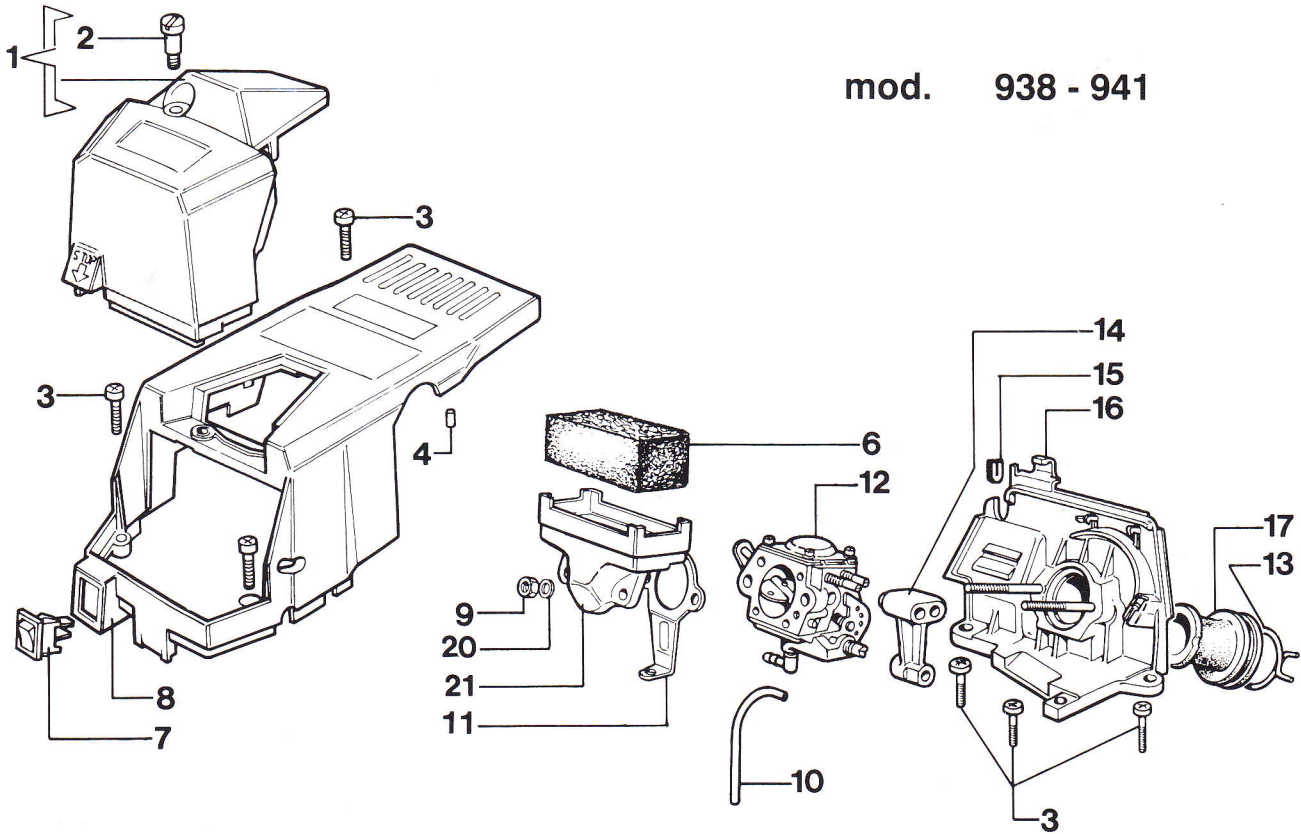
GRUPPO FRIZIONE / CLUTCH ASSY
GROUPE EMBRAYAGE / GRUPO EMBRAGUE

1 D2

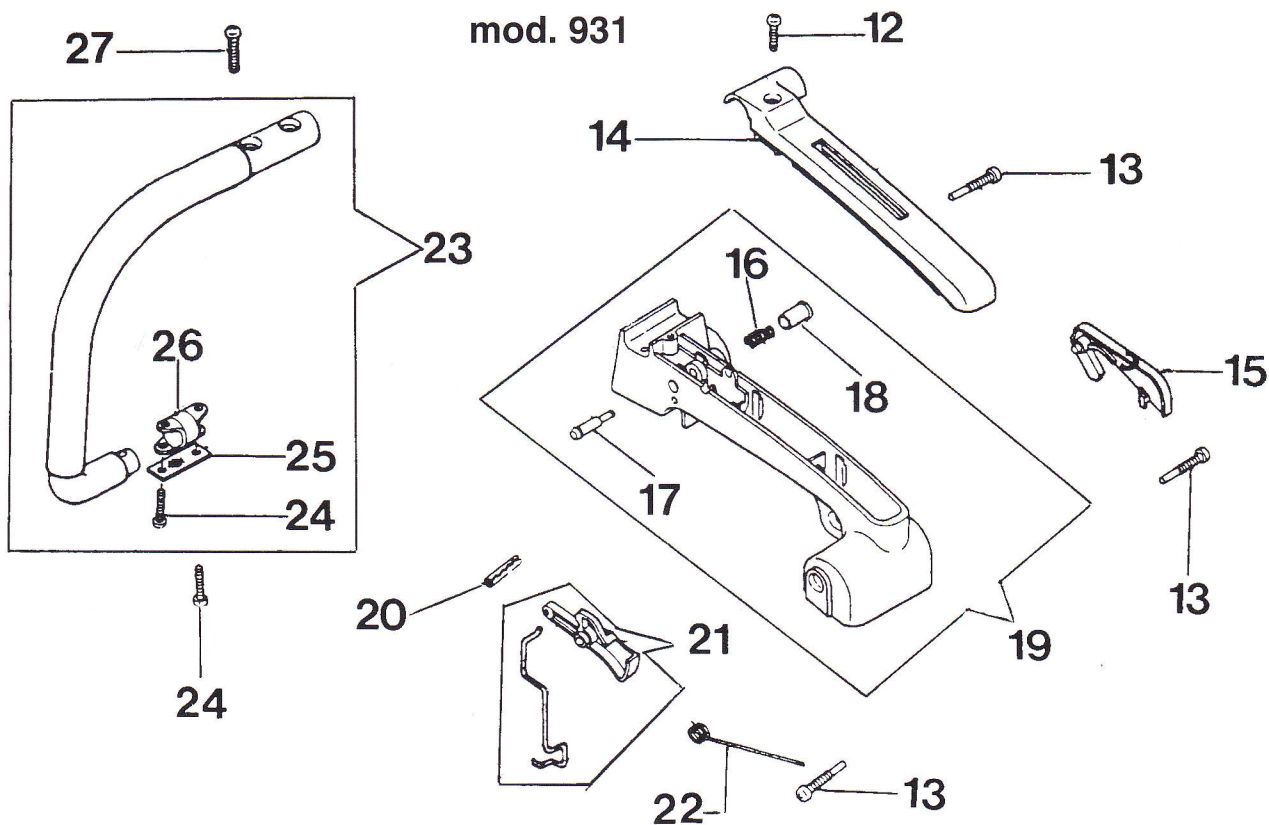
SERVICE

mod. 936 - 940 - 938 - 941 - 942 - 946 - 951

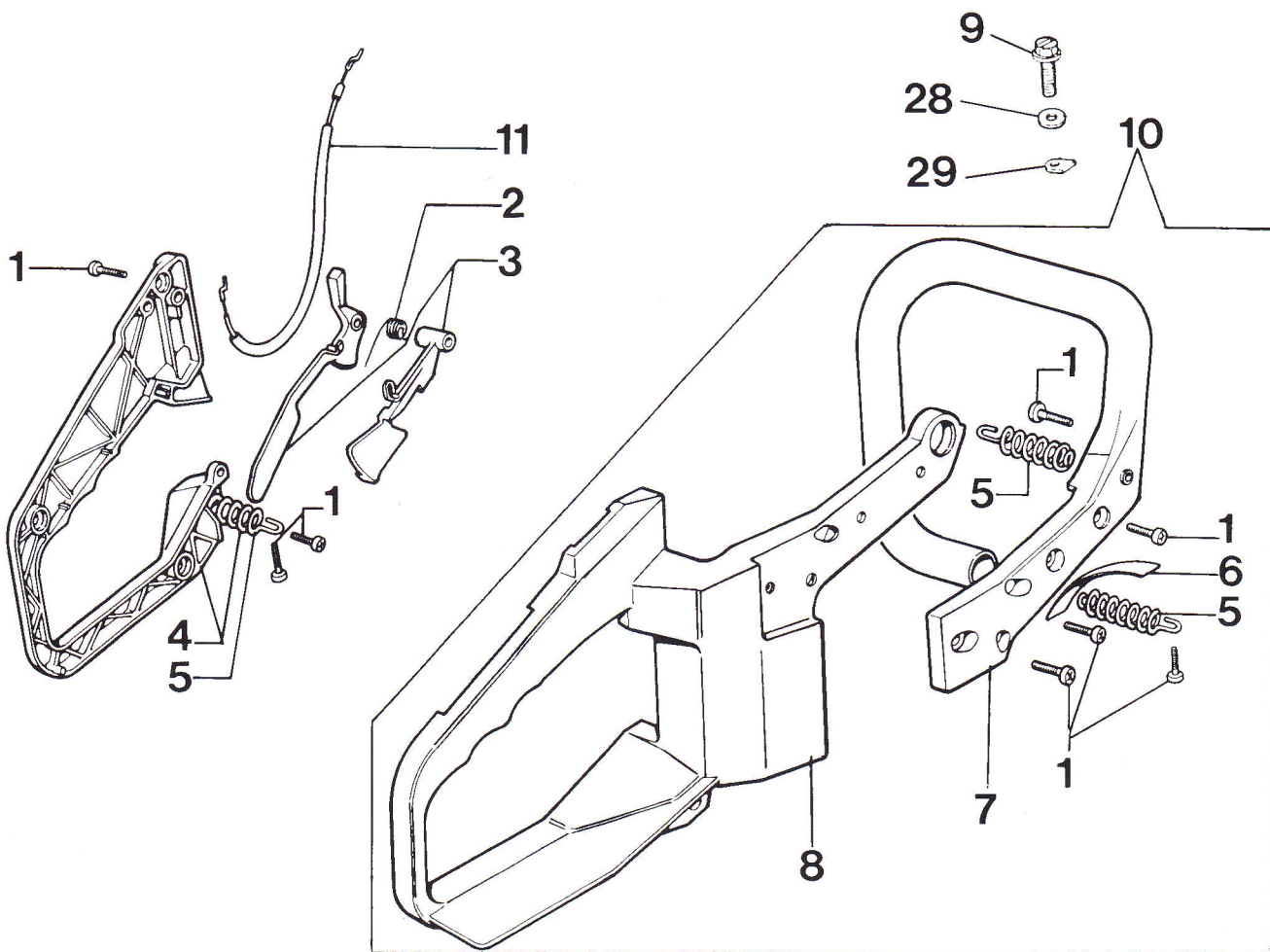
REF.	PART. NO.	SOSTITUITO DA REEMPLACÉ PAR REPLACED BY	DESCRIZIONE ITALIANO	DESCRIPTION ENGLISH	DESCRIPTION FRANÇAIS	DESCRIPCION ESPAÑOL	Bollettino - Bulletin		
							Gr.	N°	Data-Date
1	0945.00033		RONDELLA	WASHER	RONDELLE	ARANDELA			
2	0050.00165		CUSCINETTO	BEARING	ROULEMENT	COJINETE			
3	0945.00761		PIGNONE .325"-7D	SPROCKET .325"-7T	PIGNON 0.325"-7D	PINON .325"-7D			
4	0040.00352		RONDELLA	WASHER	RONDELLE	ARANDELA			
5	0940.00129		FRIZIONE COMPL.	COMPL. CLUTCH	EMBAYAGE COMPL. .	EMBRAGUE COMPL.			
6	0945.00029		MOLLA FRIZIONE	CLUTCH SPRING	RESSORT EMBAYAGE	RESORTE EMBRAGUE			
7	0946.00041		VITE	SCREW	VIS	TORNILLO			
8	0946.00198		LAMIERINO	PLATE	PLAQUETTE	PLACA			
9	0950.00286		LAMIERINO	PLATE	PLAQUETTE	PLACA			
10	0946.00382		COPRIC. COMPL. ARANCIO	CHAIN COVER ASSY OR ...	COUVERCLE COMPL. OR ..	CUBRECADENA COMPL. AN			
	0951.00054		COPRIC. COMPL. ROSSO .	CHAIN COVER ASSY RED ..	COUVERCLE COMPL. ROUGE	CUBRECADENA COMPL. ROJO			
	0951.00053		COPRIC. COMPL. GIALLO	CHAIN COVER ASSY YELLOW	COUVERCLE COMPL. JAUNE	CUBRECADENA COMPL. AMARILLO			
11	0950.00219		MOLLA	SPRING	RESSORT	RESORTE			
12	0950.00291		PERNO	PIN	AXE	PERNO			
13	0950.00226		PERNO	PIN	AXE	PERNO			
14	0950.00222		PROTEZIONE	PROTECTION	PROTECTION	PROTECCION			
15	0946.00370		COPERCHIO	COVER	COUVERCLE	TAPA			
16	0950.00220		MOLLA	SPRING	RESSORT	RESORTE			
17	0950.00290		PERNO	PIN	AXE	PERNO			
18	0946.00410		COPRIC. ARANCIO	CHAIN COVER ORANGE	COUVERCLE ORANGE	TAPA CADENA ANAR ...			
	0946.00230		COPRIC. ROSSO	CHAIN COVER RED	CORVERCLE ROUGE ...	TAPA CADENA ROJO ...			
	0946.00231		COPRIC. GIALLO	CHAIN COVER YELLOW	CORVERCLE JAUNE ...	CUBRECADENA AMARILLO			
19	0946.00381A		PROTEZIONE ARANCIO	HAND GUARD ORANGE	PROTEGE MAIN OR. ...	PROTECTOR ANAR.			
	0946.00409A		PROTEZIONE GRIGIO	HAND GUARD. GREY ..	PROTEGE MAIN GRIS .	PROTECTOR GRIS			
20	50012026		TENDICATENA COMPL.	COMPL. ADJUST	TENDEUR COMPL.	TORNILLO TENSOR			
21	50010079		FERMO TENDICATENA	ADJUST LOCK	ARRET VIS	RETEN TORNILLO			
22	0946.00074		ARTIGLIO	SPIKE	GRIFFE	ARPON			
23	50010148		DADO	NUT	ECROU	TUERCA			
24	0946.00178		NASTRO FRENO	BRAKE BAND	COLLIER DE FREIN	CINTA DE FRENADO			
25	0945.00298		PIGNONE COMPL. .325"-7D .	COMPL. SPROCKET .325"-7T	PIGNON COMPL. .325"-7D .	PINON .325"-7D			
26	0945.00046		ANELLO .325"-7D	RIM .. SPROCKET .325"-7T	PIGNON .325"-7D	PINON .325"-7D			
27	50050136		CAMPANA COMPL. P.3/8"	COMPL. DRUM P.3/8"	TAMBOUR COMPL. P.3/8"	CAMPANA COMPL. P.3/8"			
	50060033		CAMPANA COMPL. P.325	COMPL. DRUM P.325	TAMBOUR COMPL. P.325	CAMPANA COMPL. P.325			
28	50030089		CUSCINETTO	BEARING	ROULEMENT	COJINETE			
29	50050025		VITE SENZA F. P.3/8	WORM GEAR P.3/8	SIN FIN P.3/8	SIN FIN P.3/8			
	50060008		VITE SENZA F. P.325 ...	WORM GEAR P.325	SIN FIN P.325	SIN FIN P.325			
30	50050125		PIASTRINA	SPACER	ENTRETOISE	LAMINA			
31	50050039		NASTRO FRENO	BRAKE BAND	COLLIER DE FREIN	CINTA DE FRENADO			
32	3026003		ANELLO	SNAP RING	CIRCLIPS	ANILLO			
33	0970.00106		PERNO	PIN	AXE	PERNO			
34	3960070		VITE	SCREW	VIS	TORNILLO			
35	50010088A		MOLLA	SPRING	RESSORT	RESORTE			
36	50050038		COPRICATENA	CHAIN COVER	COUVERCLE	CUBRECADENA			
37	50050066		PERNO	PIN	AXE	PERNO			
38	0970.00146		LEVA	LEVER	LEVIER	PALANCA			
39	50050064		PERNO	PIN	AXE	PERNO			
40	50050040		PROTEZIONE	PROTECTION	PROTECTION	PROTECCION			
41	50052002		COPRICATENA COMP.	CHAIN COVER ASSY ...	COUVERCLE COMPL. .	CUBRE CADENA COMPL.			



REF.	PART. NO.	SOSTITUITO DA REEMPLACÉ PAR REPLACED BY	DESCRIZIONE ITALIANO	DESCRIPTION ENGLISH	DESCRIPTION FRANÇAIS	DESCRIPCION ESPAÑOL	Bollettino - Bulletin	
							Gr.	N° Data-Date
1	0946.00367		COPERCHIO F. ARIA ..	AIR FILTER COVER	COUVERCLE FILTRE	TAPA FILTRO		
2	0930.00468A		VITE	SCREW	VIS	TORNILLO		
3	0946.00041		VITE	SCREW	VIS	TORNILLO		
4	0945.00183		TUBETTO	TUBE	TUYAU	TUBO		
5	0945.00070		VITE	SCREW	VIS	TORNILLO		
6	0941.00009		FILTRO ARIA	AIR FILTER	FILTRE AIR	FILTRO AIRE		
7	2317011A		INTERRUTTORE	SWITCH	INTERRUPTEUR	INTERRUPTOR		
8	0941.00007 0941.00080		COP. CILINDRO	CYLINDER COVER	COUVERCLE CYLINDRE	TAPA CILINDRO		
9	0060.00191		DADO	NUT	ECROU	TUERCA		
10	0946.00126		TUBO MIX	FUEL LINE	TUYAU	TUBO		
11	0946.00056		FLANGIA	FLANGE	BRIDE	SOPORTE		
12	0946.00047A		CARBURATORE	CARBURETOR	CARBURATEUR	CARBURADOR		
13	0946.00103		ANELLO	SNAP RING	CIRCLIPS	ANILLO		
14	0946.00070		GUIDA VITI	SCREW GUIDE	GUIDE VIS	GUIDA DE TORNILLO ..		
15	0050.00347A		PASSACAVO	FAIRLEAD	PASSACABLE	PASACABLE		
16	0946.00131A		SUPPORTO CARB.	CARBUR. SUPPORT ...	SUPPORT CARB.	SOPORTE CARBUR.		
17	0946.00018		COLLETTORE	MANIFOLD	COLLECTEUR	CODO		
18	0946.00036A		FILTRO ARIA	AIR FILTER	FILTRE AIR	FILTRO AIRE		
19	0946.00413 0946.00449		COP. CILINDRO	CYLINDER COVER	COUVERCLE CYL.	TAPA CILINDRO		
20	3833073		RONDELLA	WASHER	RONDELLE	ARANDELA		
21	0941.00008A		SUPPORTO FILTRO ...	FILTER BODY	SUPPORT FILTRE	SOPORTE FILTRO		



mod. 938 - 941 - 942 - 946 - 951



REF.	PART. NO.	SOSTITUITO DA REEMPLACÉ PAR REPLACED BY	DESCRIZIONE	DESCRIPTION	DESCRIPTION	DESCRIPCION	Bollettino - Bulletin		
			ITALIANO	ENGLISH	FRANÇAIS	ESPAÑOL	Gr.	N°	Data-Date
1	0946.00041		VITE	SCREW	VIS	TORNILLO			
2	0946.00068C		MOLLA	SPRING	RESSORT	RESORTE			
3	0946.00411		ACCELERATORE	THROTTLE LEVER	LEVIER ACCEL.	PALANCA ACELER.			
4	0946.00377		COPERCHIO IMP.	HANDLE COVER	COUVERCLE POIGNEE	TAPA EMPUNADURA ...			
5	0946.00101A		MOLLA	SPRING	RESSORT	RESORTE			
6	0946.00077		TELA	CORD	BAND	CORREA			
7	0946.00374		IMPUGNATURA	HANDLE	POIGNEE	EMPUNADURA			
8	0946.00375		SEMIMPUGNATURA ...	HANDLE	DEMI-POIGNEE	EMPUNADURA			
9	0999.00297		VITE	SCREW	VIS	TORNILLO			
10	0946.00376		IMPUGNATURA	HANDLE	POIGNEE	EMPUNADURA			
11	0946.00059		FILO ACCEL.	THROTTLE CABLE	CABLE ACCEL.	CABLE ACELER.			
12	50030064R		VITE	SCREW	VIS	TORNILLO			
13	50030086R		VITE	SCREW	VIS	TORNILLO			
14	50030083		COPERCHIO	COVER	COUVERCLE	TAPA			
15	50030082R		LEVA DI FERMO	LEVER	LEVIER D'ARRET	PALANCA			
16	50030077		MOLLA	SPRING	RESSORT	RESORTE			
17	50030076R		PERNO	PIN	AXE	PERNO			
18	50030078R		PULSANTE	KNOB	BOUTON	PULSADOR			
19	50030074		IMPUGNATURA	HANDLE	POIGNEE	EMPUNADURA			
20	50030081		PERNO	PIN	AXE	PERNO			
21	50030079R	50032012	ACCEL. + ASTA	LEVER AND ROD	ACCEL. COMPL.	ACEL. COMPL.			
22	50030080		MOLLA	SPRING	RESSORT	RESORTE			
23	50030065R		IMPUGNATURA	HANDLE	POIGNEE	EMPUNADURA			
24	50030071R		VITE	SCREW	VIS	TORNILLO			
25	50030068		NASTRO	STOPER	BANDE	CORREA			
26	50030067R		ANTIVIBRANTE	SHOCK ABSORBER	AMORTISSEUR	ANTIVIBRADOR			
27	50030073R		VITE	SCREW	VIS	TORNILLO			
28	0946.00451		RONDELLA	WASHER	RONDELLE	ARANDELA			
29	0946.00198		PIASTRINA	PLATE	PLAQUETTE	LAMINA			